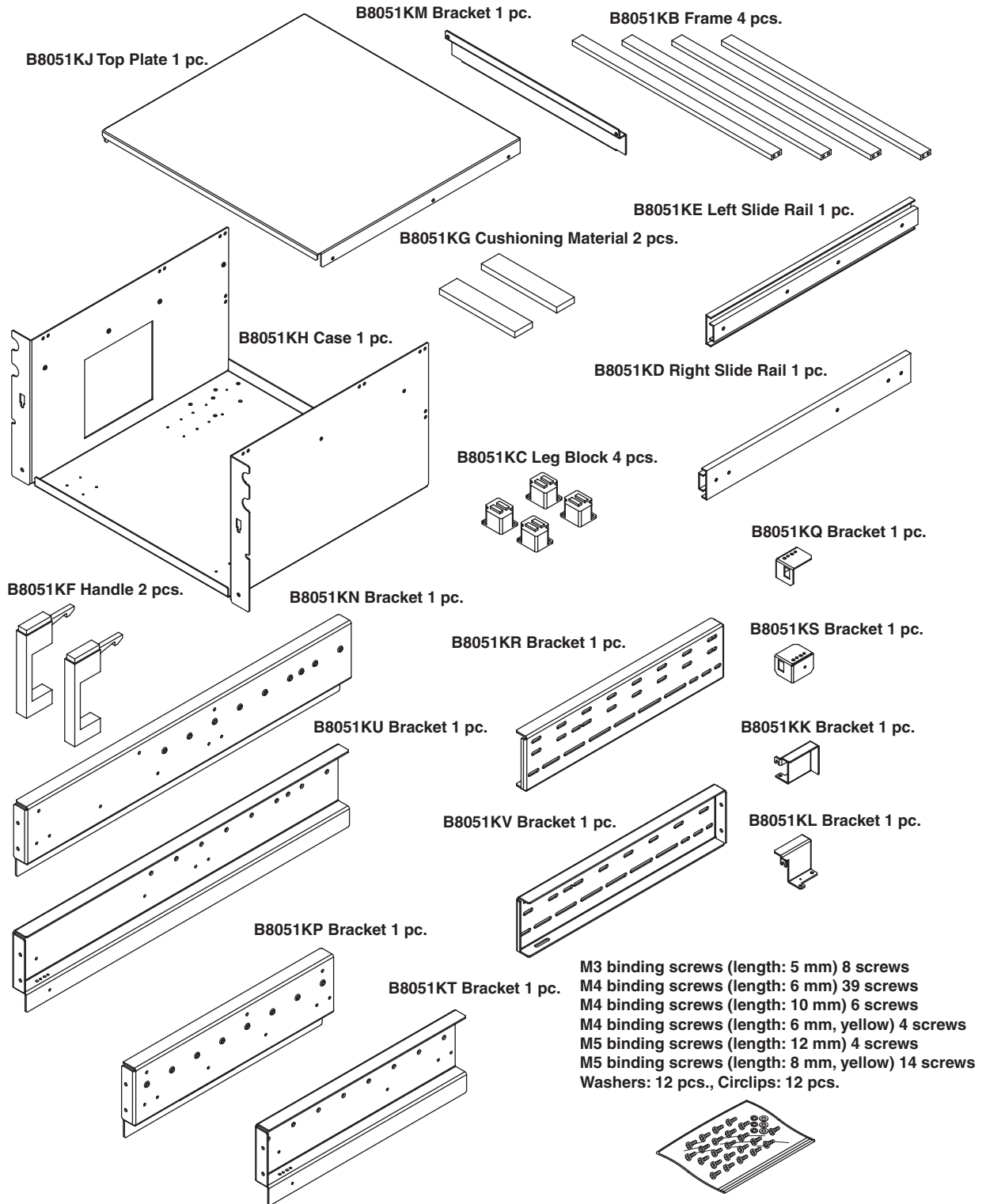


Contents of the Package

Check that the parts indicated below are included in the package. If some of the contents are missing or if there is physical damage, please contact your nearest YOKOGAWA dealer.



Removing Parts from the DL7100/DL7200/DL7400

CAUTION

- There is a possibility that if you remove the handle, you may not be able to reattach it.

When rack mounting a DL7100/7200/7400, remove parts from the oscilloscope according to the procedure given below.

1. Remove the handle (1 location).

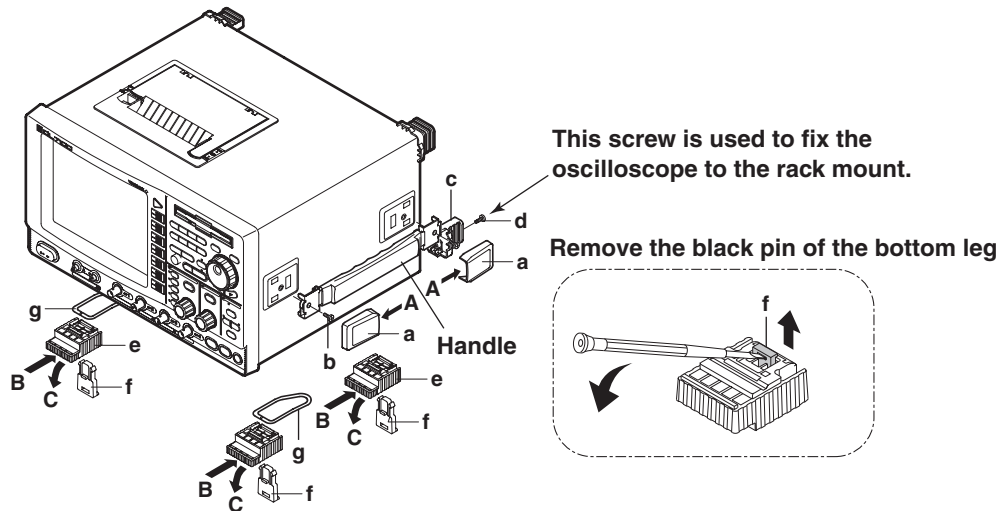
Insert a flat-blade screwdriver in the direction of the arrow marked A, and remove the handle cover (a) by lifting it (2 locations). If it does not come off easily, use another tool to pry open each end of the handle cover (a) and lift it. Then, remove the handle attachment screws (b) (2 locations).

2. Remove the lower legs (c) from the rear panel (2 locations).

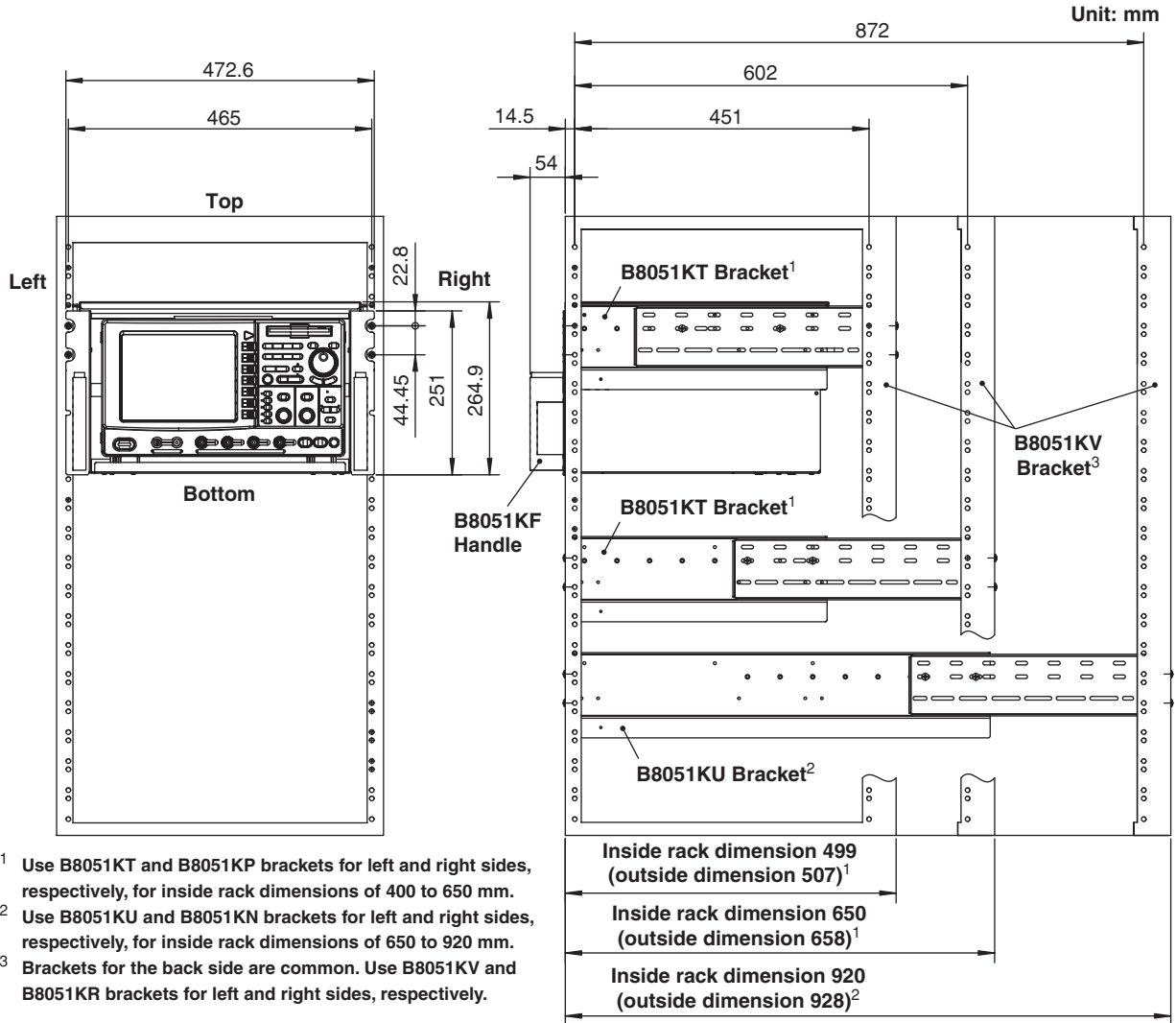
You can remove the legs (c) by removing attachment screws (d). The screws (d) that you remove will be used for rack mounting.

3. Remove the legs (e) from the bottom of the oscilloscope (4 legs).

First, Use a thin flat-blade screwdriver to pull out the black pins (f) as shown (4 locations). Next, apply pressure in the direction of the arrow marked B (towards the back of the oscilloscope) and slide the feet (e) (4 locations). Apply pressure in the direction of the arrow marked C (downward) and remove the feet (e) (4 locations). When you remove the front feet (e), the stands (g) also come off.

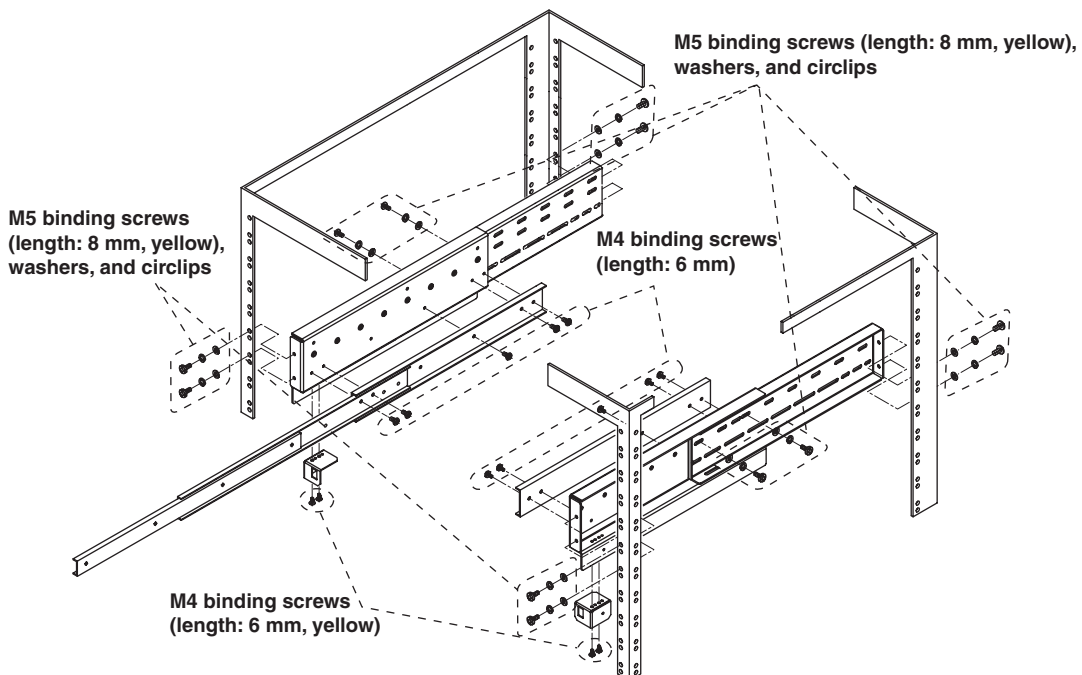


Rack Mounting Dimensions



Attaching the Slide Rail

1. Construct the left and right slide rail sections.
2. Attach the slide rail sections to the inner side of the left and right frames of the rack.

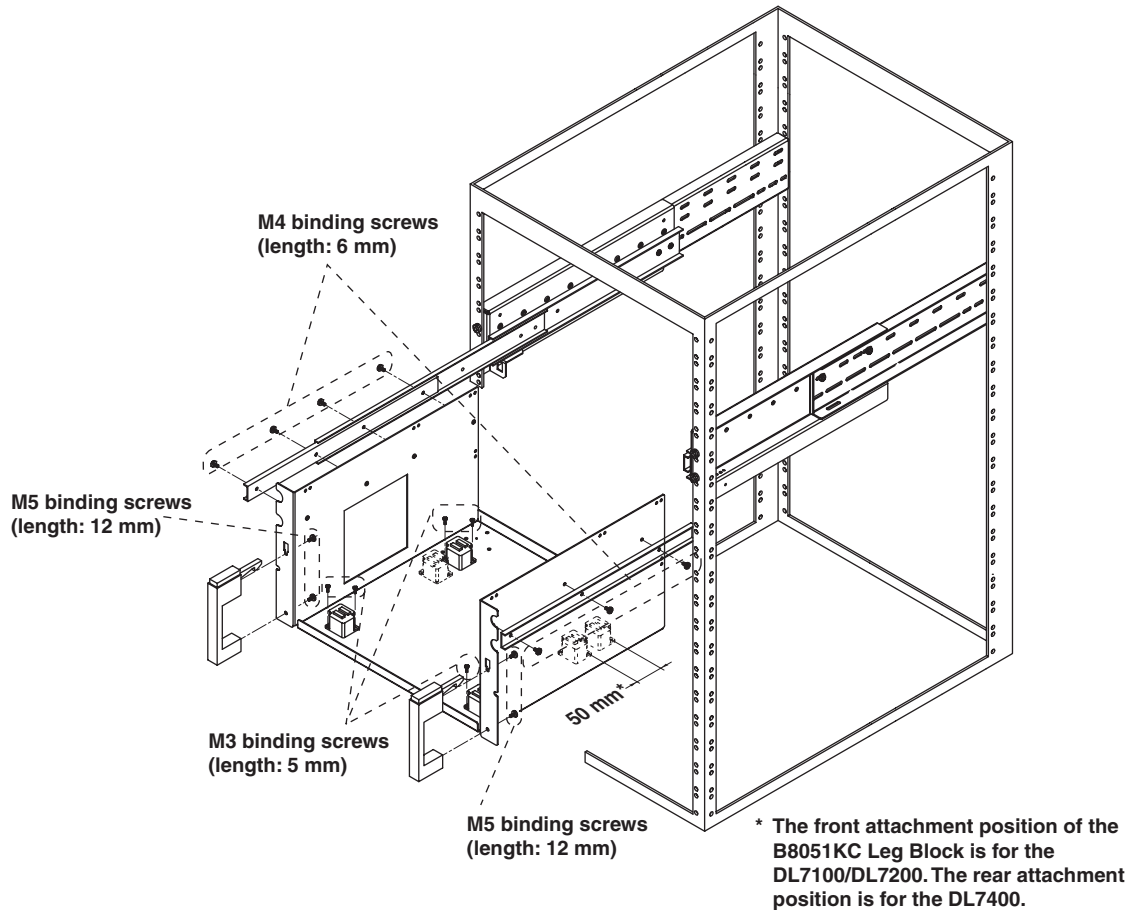


Attaching the Case

WARNING

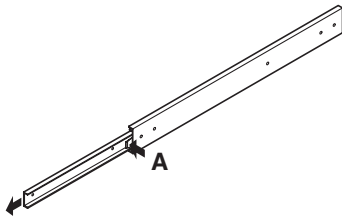
Be careful not to get your hands caught when inserting the drawer of the rack mount kit.

1. Build the case for the DL7100/DL7200/DL7400.
2. Mount the case on the rack. Secure the slide rail sections with screws.



Note

You can remove the right slide rail by pulling out the case while holding down the section marked by arrow A. The left slide rail cannot be removed in this way. To remove the left rail, unfasten the screws.

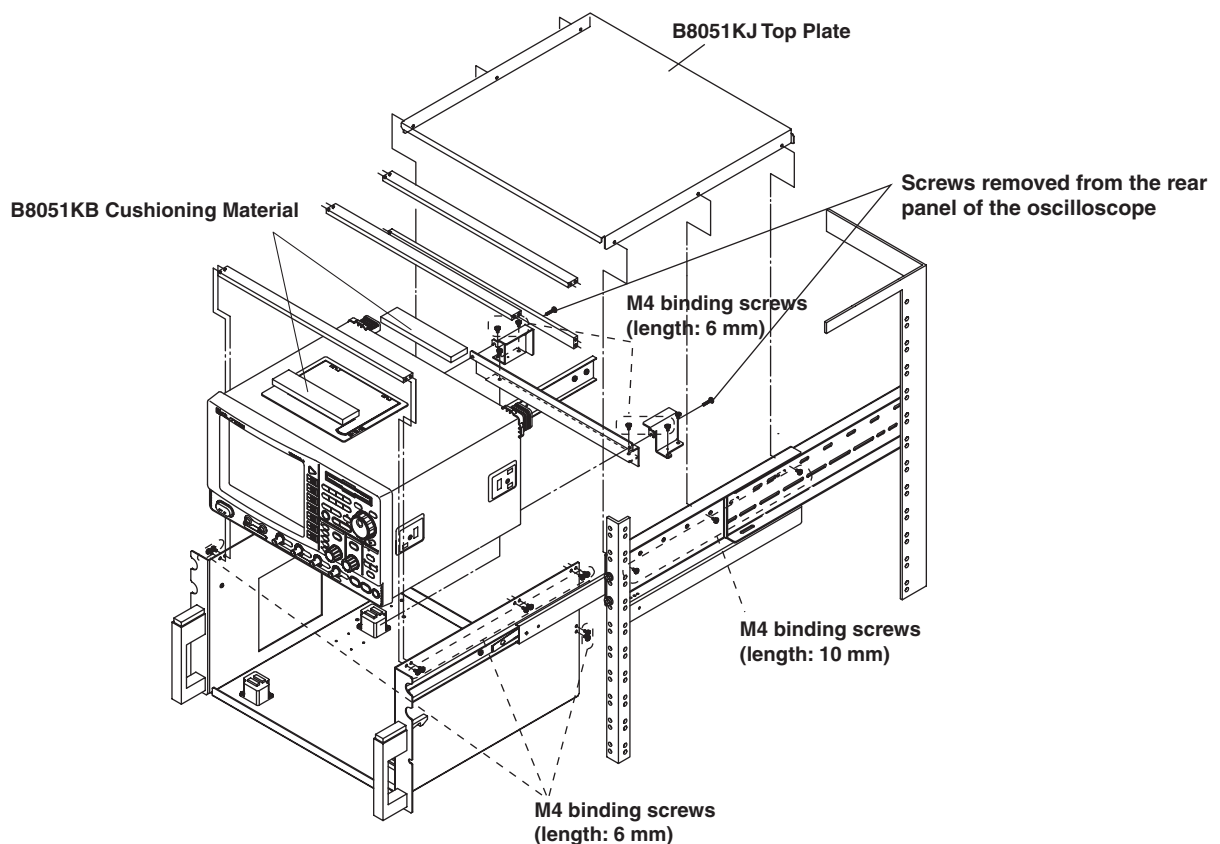


Attaching the DL7100/DL7200/DL7400

WARNING

Be careful not to get your hands caught or drop the digital oscilloscope when placing the DL7100/DL7200/DL7400 in the case.

1. Pull the case from the rack and carefully set the digital oscilloscope at the leg position.
2. Attach parts used to fix the digital oscilloscope to the top and rear panels of the oscilloscope.
Here, the screws that you removed in step 2 in "Removing Parts from the DL7100/DL7200/DL7400" are used to attach the parts to the rear panel.
When attaching the parts to the top of the digital oscilloscope, insert the cushioning material in between the oscilloscope and the parts. When inserting the cushioning material, keep clear of the printer output section of the oscilloscope.
3. Attach the top plate to the rack and fasten with screws.



Handling Precautions

- When rack mounting DL7100/DL7200/DL7400 using the rack mount kit, take measures to prevent the rack from toppling over.
- Do not transport rack-mounted DL7100/DL7200/DL7400s. This can cause damage to the digital oscilloscopes or the rack mount kit.
- To move the rack, remove the oscilloscopes from the rack and secure the case using shipping lock screws (M4) as shown.

